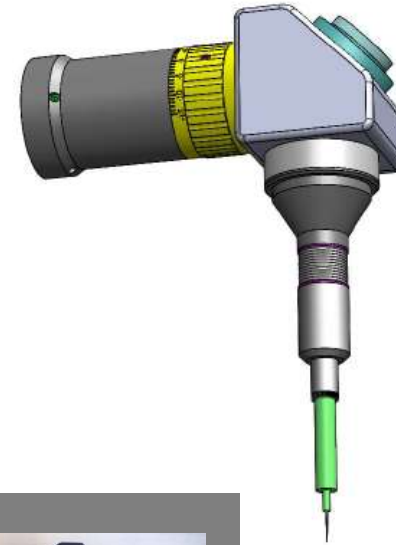


Laser welding용 Focusing Module

- ▶ Design wavelength : 1070nm
- ▶ Output power up to 1KW
- ▶ Spot size : 200 μ m (at target)
- ▶ Adjustable focusing position : \pm 15mm



일자형



L-type 130mm



L-type 230mm

