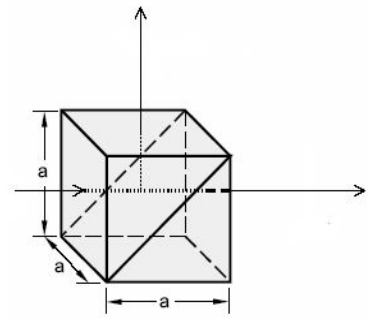


General Specifications

Substrate Material	: BK7 J/ UV Fused Silica
Surface Flatness	: <20-10
Surface Quality	: $\lambda/8$ at 633nm
Beam Deviation	: <3 arcmin
Dimension Tolerance	: ± 0.2 mm
Clear aperture	: $\geq 85\%$ of the face size
Reflectance	: From 10% to 90% with tolerance
Damage Threshold	: 1 J/cm ² , 20ns, 20Hz at 1064nm



The four outer faces are all anti-reflection coated.

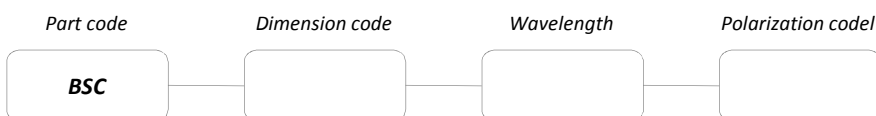
Model Specifications

Part Numbers	Wavelength (nm)	Cube size
BSC-15-280-Pol.	280	15 mm
BSC-20-280-Pol.	280	20 mm
BSC-25-280-Pol.	280	25 mm
BSC-15-355-Pol.	355	15 mm
BSC-20-355-Pol.	355	20 mm
BSC-25-355-Pol.	355	25 mm
BSC-13-532-Pol.	532	0.5"
BSC-15-532-Pol.	532	15 mm
BSC-20-532-Pol.	532	20 mm
BSC-25-532-Pol.	532	1"
BSC-38-532-Pol.	532	1.5"
BSC-51-532-Pol.	532	2"
BSC-13-780-Pol.	780	0.5"
BSC-20-780-Pol.	780	20 mm
BSC-25-782-Pol.	780	1"
BSC-38-780-Pol.	780	1.5"
BSC-51-780-Pol.	780	2"
BSC-13-1064-Pol.	1064	0.5"
BSC-15-1064-Pol.	1064	15 mm
BSC-20-1064-Pol.	1064	20 mm
BSC-25-1064-Pol.	1064	1"
BSC-38-1064-Pol.	1064	1.5"
BSC-51-1064-Pol.	1064	2"

Split

Polarization	Polarization code
P-polarized	P
S-polarized	S
Unpolarized	U

Order/Product Nomenclature

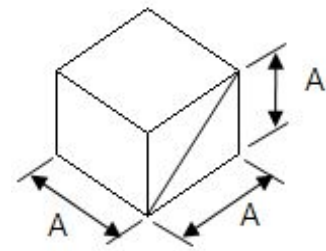
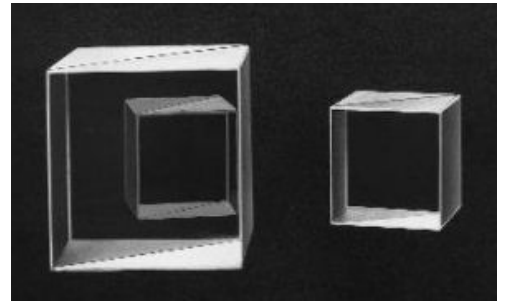
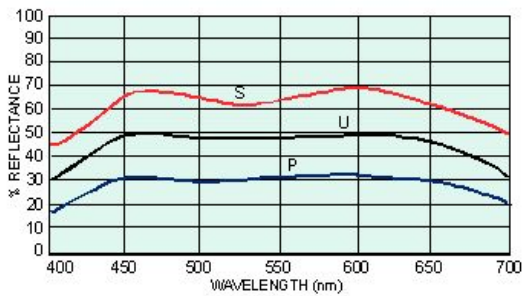


Ordering example : BSC-15-355-P

Dimension	Dimension code
0.5"	13
15 mm	15
20 mm	20
1"	25
1.5"	38
2"	51

General Specifications

Substrate Material	: BK7
Surface Quality	: < 20 / 10
Surface Flatness	: < $\lambda/10$ at 633 nm
Beam Deviation	: < 3 arcmin
Dimension Tolerance	: ± 0.1 mm
Clear Aperture	: $\geq 85\%$ of the face size



Split

Polarization	Polarization code
P-polarized	P
S-polarized	S
Unpolarized	U

Wavelength	Wavelength code
450 ~ 650	VIS
550 ~ 780	VIR
750 ~ 950	NIR
1250 ~ 1550	IR

Model Specifications

Part Number	Wavelength range (nm)	Split	Cube size (mm)
SCL-15-VIS-Pol	450-650	Achromatic	15.0 \pm 0.1
SCL-25-VIS-Pol	450-650	Achromatic	25.4 \pm 0.1
SCL-15-VIR-Pol	550-780	Achromatic	15.0 \pm 0.1
SCL-25-VIR-Pol	550-780	Achromatic	25.4 \pm 0.1
SCL-15-NIR-Pol	750-950	Achromatic	15.0 \pm 0.1
SCL-15-IR-Pol	1250-1550	Achromatic	15.0 \pm 0.1

Order/product Nomenclature

Part code Dimension code Wavelength code Polarization code

SCL

Ordering example : SCL-15-NIR-S

Dimension	Dimension code
15.0 \pm 0.1 mm	15
25.4 \pm 0.1 mm	25